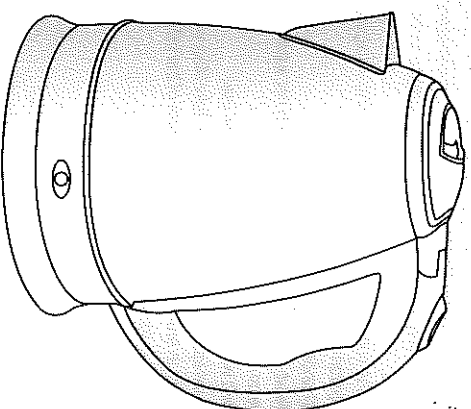


DAEWOO
DAEWOO ELECTRONICS
SALES & SERVICES (M) SDN BHD

MANUAL

Electric Kettle



DAEWOO
DAEWOO ELECTRONICS
SALES & SERVICES (M) SDN BHD

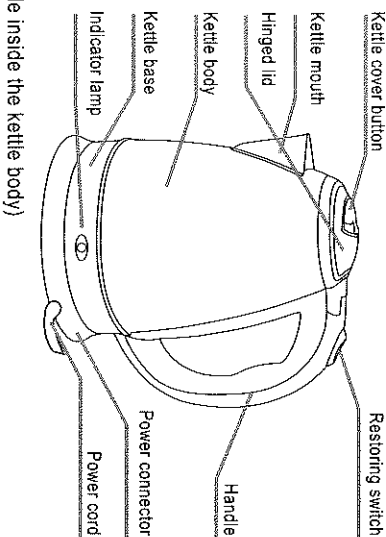
Daewoo Electronics Sales & Services(M) Sdn. Bhd.

Lot 886, Bay B3-B5, Jalan Subang 9,
Taman Perindustrian Subang, Batu 14,
Jalan Puchong-Hicom, 47100 Puchong,
Selangor Daru Ehsan, Malaysia.

Before using this kettle, please read this
instruction manual completely.

Thank you for choosing our products. It is just one of a complete range of cleverly designed, safe and practical products which will help to make your life easier. Please read these instructions carefully to get the best results from this product.

DESIGNATION OF COMPONENTS



SAFETY INSTRUCTIONS

(Water level scale inside the kettle body)

1. No responsibility is accepted for damage resulting from improper use or non-compliance with the instructions.
2. The kettle is designed for heating water only. Never put any other liquid into the kettle, nor should it use another cooking appliance.
3. Before inserting the main plug into the socket check whether the supply line voltage and current rating are in compliance with the rated electric parameter shown on the kettle label.
4. Do not operate the kettle with wet hands.
5. Keep children away from the kettle which is either in heating or filled with hot water.
6. Prevent from scalding water or steam.
7. Pour away the very first water boiled with this kettle. Then it is ready for use.
8. Do not touch any part of the kettle except the handle when the kettle is fully filled with boiling water.
9. Pour out the boiling water in one time, in order to enable the temperature of the kettle to decline.
10. Remove the plug from the wall socket in following case.
 - a) after use
 - b) malfunction comes up
 - c) before cleaning
11. When removing the plug from the wall socket never pull on the power cord.
12. Regularly clean and scour out the kettle, but can't allow the kettle, especially the heating base, be immersed in water.
13. The appliance must not be immersed in water.
14. This appliance is not intended for use by persons (including children) with reduced physical, sensory or mental capabilities, or lack of experience and knowledge, unless they have been given supervision or instruction concerning use of the appliance by a person responsible for their safety.
15. Children should be supervised to ensure that they do not play with the appliance.
16. If the supply cord is damaged, it must be replaced by the manufacturer, its service agent or similarly qualified persons in order to avoid a hazard.

OPERATION GUIDELINES

1. Filling water
 - The capacity of filled water is limited by the ultimate line graduated on the kettle body.
 - It should not be higher than the max line, nor lower than the minimum line.
 - On filling water, care should be taken to avoid water column flowing on the kettle's outside surface.
2. Locating
 - Place the kettle on a stable flat surface.
 - Never heat the kettle on any wet surface, do not allow water to penetrate the electrical parts inside the kettle.
 - Do not position the kettle on or near hot surface or near open flames.
3. Switching on
 - Insert the main plug on the power cord into the wall socket.
 - Please take care that the power cord must be well located and can't be caught on by a passerby
 - push the restoring switch
 - The red indicator lamp brights, it indicates that the kettle is in heating.
4. Boiling
 - The kettle is automatically switch off several seconds after the water is boiling.
 - The red indicator lamp goes out as switch off.
5. Restoring
 - After the kettle has switch off, it will need sometime to cool down. Almost after 15 seconds, the kettle can be switched on again by manual restoring.
 - if the red indicator lamp still goes out after pushing the restoring switch, it may be the case that the temperature sensing controller is still in hot condition and time must be taken for re-operating the kettle.

FEATURE

- 1) Concealed heating element with stainless steel kettle bottom, resulting in convenience to clean.
- 2) Temperature sensing controller-automatic switch-off when water is boiling.
- 3) Dry boiling protector-boil-dry safety cutoff.
- 4) Easy-lift hinged lid.
- 5) Rotary (360) cordless base lead to the convenience for use.
- 6) Shining body.

TECHNICAL DATA

Model No	DEK-18JK
Wattage	1850-2200W
Power supply	220-240V ~ 50/60Hz
Capacity	1.8Ltr